

BEAM LOAD CELL

TAB



TOTALCOMP
Model TAB

Beryllium Copper, waterproof beam load cell

✓ *Beryllium Copper, stainless steel*

bellows.

✓ *25kg*

Capacity.

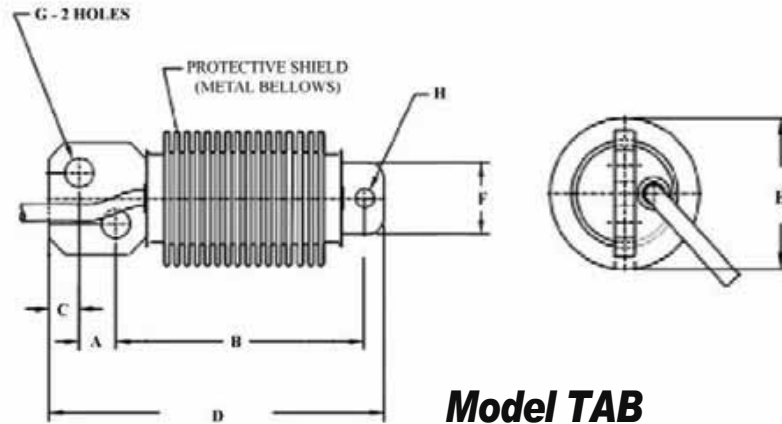
✓ *Waterproof*

IP67.

✓ *Four conductor, 5 ft.*



cable.
Totalcomp[®] Scales & Components



Model TAB

TAB BEAM LOAD CELL

Part Number	Capacity	Weight	A	B	C	D	E	F	G	H
TAB-250	25 kg	1 lb	0.256	1.752	0.216	2.362	0.98	0.50	0.201	0.130

Performance

Full Scale Output
3.00 mV/V

Combined Error
±0.03% FS

Nonlinearity
±0.02% FS

Hysteresis
±0.02%

Creep
±0.02% FS in 1 hour

Non-Repeatability
±0.01% FS

Zero Balance
±1.0% FS

Overload Safe
175% FS

Overload Ultimate
300% FS

Electrical

Bridge Resistance
Input 350 ohms
Output 350 ohms

Excitation Voltage
10 DC (20 DC Max)

Insulation Resistance
10KMohms@50VDC

Temperature

Compensated Range
-10°C to +40°C

Temperature Operating Range
0°F to +150°F

Effect on Zero Balance
0.0008% FS/deg F

Effect on FS Output
0.0008% FS/deg F

Mechanical

Material
Beryllium Copper
With Stainless
Steel Bellows

Finish
Polished

Sealing
IP67

Wiring

Cable Length & Type
5 foot, 4 conductor

Cable Color Code

+ Excitation.....Red
- Excitation.....Black
+ Output.....Green
- Output.....White
Shield.....Bare

TOTALCOMP LIMITED WARRANTY

Totalcomp warrants this product to be free of defects in materials and/or workmanship and suitable for the purpose(s) intended as outlined on this sheet. This warranty is effective and shall cover the purchaser for one year from the date of shipment from our plant. If this product is found to be defective by our inspection in accordance with the above listed criteria, we will replace or repair it at our expense. For warranty service, please obtain a return authorization number from us and return the item, shipping prepaid, with a written description of the problem. We will respond promptly with the results of our evaluation.

